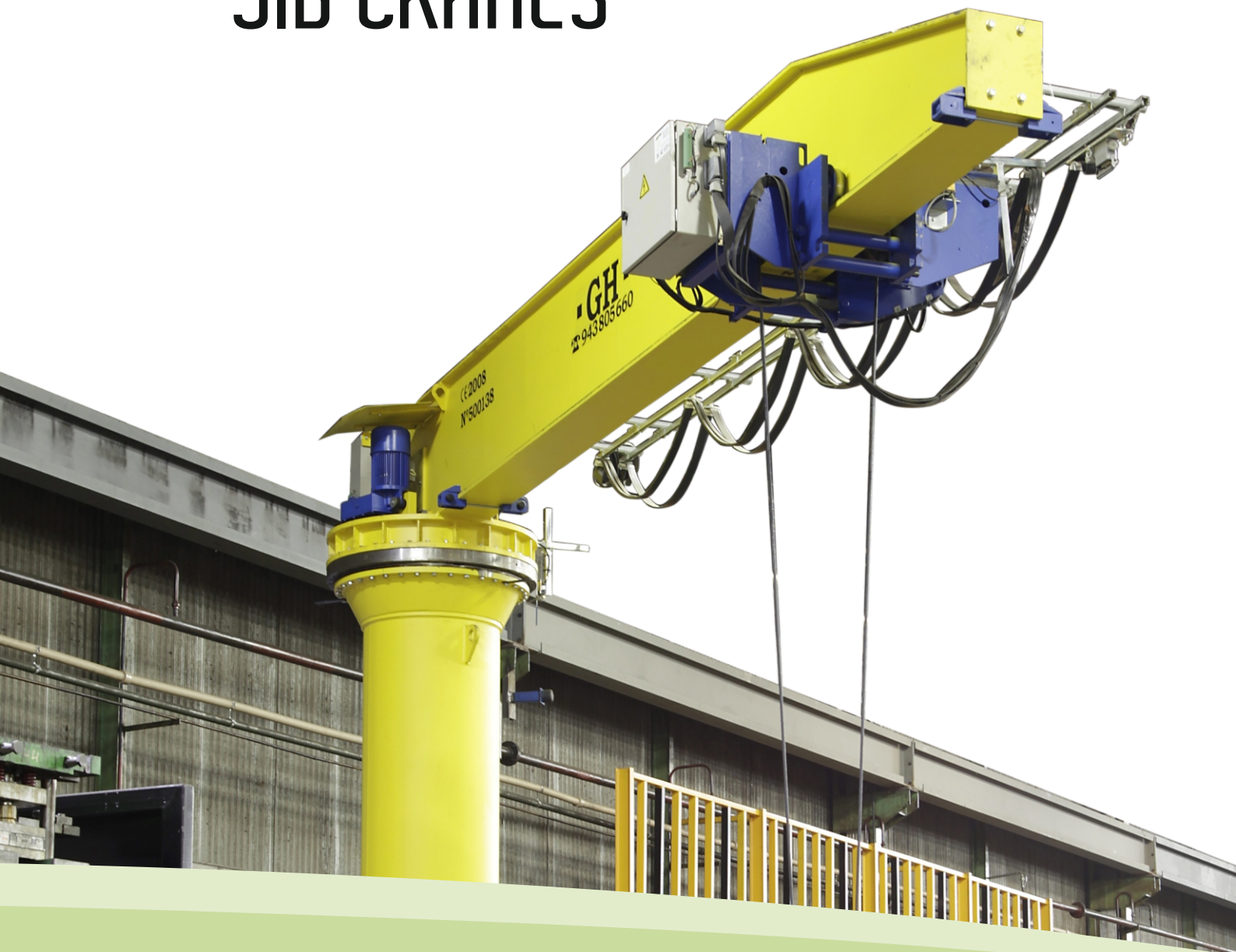


# · GH ·

CRANES & COMPONENTS

## INDUSTRIAL AND PORT JIB CRANES



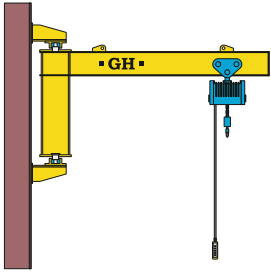
GPLM - GPLC - GPLN - GPLP



**A WIDE RANGE  
OF MODELS TO CATER  
FOR ALL INDUSTRIAL  
AND PORT  
REQUIREMENTS**



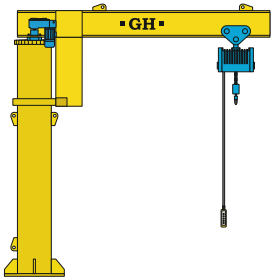
## WALL JIB CRANE - GPLM



Available in 5 different-sized models with capacities ranging from 250 kg to 2 tons.

4 different models according to attachment type: welded to column flange, welded to column web, clamped to column or bolted to column.

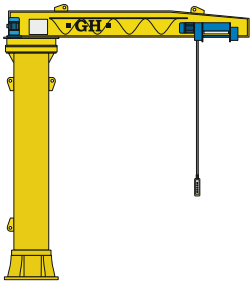
## COLUMN JIB CRANE - GPLC



5 standard models and 5 special models, with capacities ranging from 125 kg to 4 tons.

Electric rotation system.

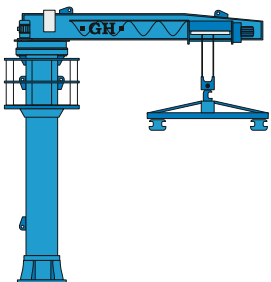
## INDUSTRIAL JIB CRANE - GPLN



4 models available, with capacities ranging from 2.5 to 20 tons. Electric rotation system.

This type of jib crane is used in industrial facilities requiring a higher lifting capacity than for column jib cranes (GPLC).

## PORT JIB CRANE - GPLP



4 models available, with capacities ranging from 2.5 to 20 tons. They are equipped with more elements than industrial jib cranes (GPLN) special paint, a stainless steel cabinet, radio control and a fixed button panel to adapt to environmental and working conditions, with additional options such as a spreader and boat lifting slings.

Electric trolley travel: Recommended for loads of over 500 kg.

All the cable hoists have a converter for lifting and trolley travel, enabling smooth, precise movement.

The electric rotation converter enables smooth turning and accurate positioning.

Movable or radio controlled button panel, suitable for a boom length of over 3 m and when distance from the load is required.

Adjustable trolley stops.

Jib cranes are classified according to their design:

- Wall jib cranes
- Column jib cranes

According to rotation drive:

- Standard rotation
- Electric rotation

According to their lifting hoist:

- Chain lifting hoist type
- Cable lifting hoist type

According to hoist trolley movement drive:

- Push trolley type
- Electric trolley type

According to their rotation range:

- 108°, 270°, 350° or 360°

According to control type:

- Hoist with fixed button panel type
- Movable button panel type
- Radio controlled type

Jib crane design and dimensions also depend on the following factors:

- Type of foundations, for column cranes.
- Type of fixing, for wall jib cranes: metal, concrete or wall column.
- Lifting capacity.
- Boom length.
- Column height.
- Hook travel.
- Location, indoors or outdoors.



# WALL JIB CRANE - GPLM



This type of crane lifts lightweight parts during the production process, where separate manufacturing stations are required for the main cranes in the building.

Standard version with a capacity of up to 1 ton and a 7 m boom, or version with a 2 ton capacity and a 5 m boom, with manual or electric rotation drive.

5 different-sized models for the manual rotation version and 3 models for the electric rotation version are available, with chain hoist and optional cable hoist.

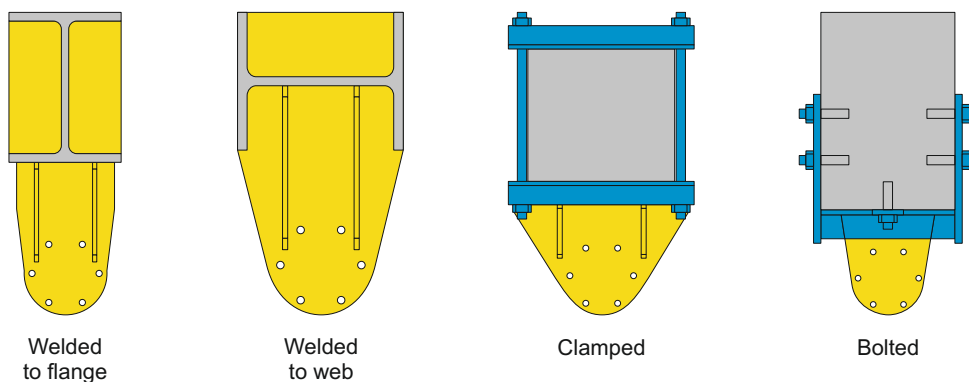
## Model classification:

Fixed to building column type:

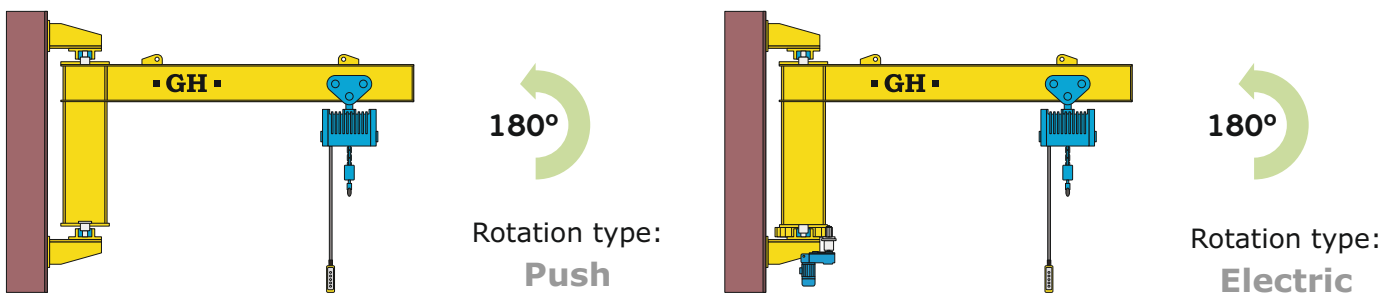
<b>AMSL</b>	Welded to flange
<b>AMSM</b>	Welded to web
<b>AMBR</b>	Clamped
<b>AMTR</b>	Bolted

Model	Beam
1	IPE-180
2	IPE-240
3	IPE-300
3EI	IPE-300
4	IPE-360
4EI	IPE-360
5	IPE-400
5EI	IPE-400

Different models of wall jib cranes are available, according to how they are fixed to the building column: GH supplies the fixing supports for cranes welded to the beam flange or beam web, or clamped or bolted to the column.



## Tables for crane type selection according to load capacity and boom length:



		Load capacity (t)			
		0,25	0,5	1	2
Boom (m)	2				
	2,5				
	3	Model 1	Model 2		
	3,5			Model 3	
	4			Model 4	
	4,5				Model 5
	5				
	5,5				
	6				
	6,5				
7					

		Load capacity (t)			
		0,25	0,5	1	2
Boom (m)	2				
	2,5				
	3				
	3,5		Model 3EI		
	4			Model 4EI	
	4,5				Model 5EI
	5				
	5,5				
	6				
	6,5				
7					

## COLUMN JIB CRANE - GPLC



This type of crane lifts light and medium weight parts during production processes where separate manufacturing stations are required for the main cranes in the building.

Available in standard versions with capacities ranging from 125 kg to 4 tons. 5 standard models are available, according to load capacity and boom, and 5 special models according to column height.

All the cable hoists have a converter for lifting, trolley travel and rotation, enabling smooth, precise movement.

### Model classification:

Model	Beam	Tube	Anchoring and frame units		
1	IPE-200	ø219	JC1	400x600x5/ø340	6div/ø31
1E			JC2	500x700x5/ø420	8div/ø31
2	IPE-300	ø323	JC3	710x900x5/ø630	10div/ø31
2E					
3	IPE-360	ø406	JC5	910x1100x5/ø830	16div/ø31
3E					
4	IPE-450	ø457	JP1	910x1100x8/ø830	16div/ø31
4E					
5	IPE-550	ø558	JP1	910x1100x8/ø830	16div/ø31
5E					

The basic jib crane has a chain hoist (and optional cable hoist).

### Tables for crane type selection according to boom length and column height:

Rotation type:  
**Electric**

Standard height	Boom (m)	Load capacity (t)									
		0,125	0,25	0,5	0,75	1	1,6	2	2,5	3,2	4
2	2	7	4,5	8,5	6	4,5	3	5	4	3	4
2,5	2,5	6	3,5	7	5	3,5	4,5	4	3	4	3,5
3	3	5	3	5,5	4	3	4	3	4,5	3,5	4,5
3,5	3,5	4	7	4,5	3,5	5	3,5	4,5	3,5	4,5	3,5
4	4	3,5	6,5	4	3	4,5	3	4	3	4	3
4,5	4,5	3	6	3,5	5	4	4	3,5	4,5	3,5	
5	5	7	5	6	4,5	3,5	4	3	4	3	
5,5	5,5	6,5	4,5	5	4	5	3,5	4	3,5		
6	6	5,5	4	4,5	3,5	4,5	3	4	3		
6,5	6,5	5	3,5	4	5	4	4	3,5			
7	7	4,5	3	3,5	4,5	3,5	4	3			
8	8	3,5	5	5	4	4,5	3,5				
9	9	3	4	4,5	3,5	4	3				
10	10	4,5	3,5	3,5	4	3,5					

### Standard Column Jib Crane with maximum working height

Check out our special models for use where the jib crane model does not permit the necessary column height.

Rotation type:  
**Electric**

Special height	Boom (m)	Load capacity (t)									
		0,125	0,25	0,5	0,75	1	1,6	2	2,5	3,2	4
2	2	9	6,5	10,5	8	6,5	5	6,5	5,5	4,5	5,25
2,5	2,5	8	5,5	9	7	5,5	6	5,5	4,5	5,25	4,75
3	3	7	5	7,5	6	5	5,5	4,5	5,75	4,75	5,25
3,5	3,5	6	9	6,5	5,5	6,745	5	5,75	4,75	5,25	4,25
4	4	5,5	8,5	6	5	6,25	4,5	5,25	4,25	4,75	3,75
4,5	4,5	5	8	5,5	6,75	5,75	5,25	4,75	5,25	4,25	
5	5	9	7	7,75	6,25	5,25	5,25	4,25	4,75	3,75	
5,5	5,5	8,5	6,5	6,75	5,75	6,25	4,75	4,75	4,25		
6	6	7,5	6	6,25	5,25	5,75	4,25	4,75	3,75		
6,5	6,5	7	5,5	5,75	6,75	5,25	4,75	4,25			
7	7	6,5	5	5,25	6	5,25	4,75	3,75			
8	8	5,5	7	6,5	5,5	5,5	4,25				
9	9	5	6	6	5	5	3,75				
10	10	6,5	5,5	5	5	4,5					

### Special Column Jib Crane with maximum working height

Check with the factory for special models for use where the special column crane model does not permit the necessary column height.

## INDUSTRIAL JIB CRANE



This type of crane lifts heavy weights during industrial production processes where separate manufacturing stations are required for the main cranes in the building.

Standard version with a capacity of up to 12.5 tons and a 7 m boom, or version with a 20 ton capacity and a 5 m boom, with electric rotation drive.

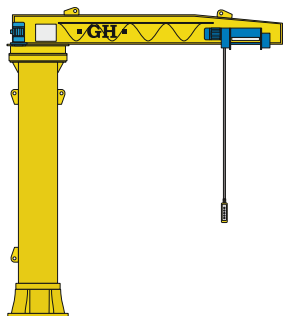
4 different sized models are available.

### Model classification:

Model	Beam	Tube	Anchoring and frame units		
1	500	ø610	JP1	910x1100x8/ø830	16div/ø31
2	700	ø760	JP2	1350x1550x10/ø1250	20div/ø37
3	900	ø960	JP3	1600x1800x12/ø1500	22div/ø37
4	1100	ø1150	JP4	2000x2300x12/ø1850	20div/ø50
5L	1200	ø1150	JP5L	2300x2500x12/ø2100	24div/ø50
5	1300	ø1150	JP5	2400x2700x12/ø2200	24div/ø50

The basic jib crane has an AR chain hoist, and may optionally be equipped with a standard cable hoist.

### Tables for crane type selection according to load capacity, boom length and column height:



Rotation type:  
**Electric**

Industrial jib crane with AR cable hoist with maximum working height.

		Load capacity (t)									
		2,5	3,2	4	5	6,3	8	10	12,5	16	20
Boom (m)	3,5	15	14	9,5	7,5	14	10	7,5	14	15	15
	4	12	10,5	8,5	7	11,5	9	15	12	15	14
	4,5	11	9	7,5	12,5	10	8	13,5	10,5	15	11
	5	10	8	7	11	9	14,5	12	16	13	10,5
	5,5	9	7,5	12,5	10	8	13	11	15	12	15
	6	8	7	11	9	7,5	12	10	14	10,5	15
	6,5	7,5	12,5	10,5	8,5	14	11,5	16	12,5	15	15
	7	7	11,5	9,5	8	13	10,5	15	11	15	15
	7,5	14	10	6,5	14	10	15	15	15	15	
	8	12	9	15	12	9	14,5	15	15	15	
8,5	11	7,5	14,5	11	15	13	15	15			
9	10	6,8	13	9,5	15	15	15	13			
9,5	8,5	15	11,5	15	15	15	15	12			
10	7,5	15	10,5	15	15	15	15	15			

Check with the factory for cases where the jib crane model does not permit the necessary column height.

### Foundation box dimensions.

		Load capacity (t)									
		2,5	3,2	4	5	6,3	8	10	12,5	16	20
Boom (m)	3,5	2,3X2,3X1	2,45X2,45X1	2,7x2,7x1	2,85x2,85x1	3x3x1	3,3X3,3X1	3,45X3,45X1	3,5X3,5X1,25	3,6X3,6X1,4	3,8X3,8X1,4
	4	2,45X2,45X1	2,6X2,6X1	2,85x2,85x1	3X3X1	3,2X3,2X1	3,5X3,5X1	3,45X3,45X1,25	3,7X3,7X1,25	3,8X3,8X1,4	4,05X4,05X1,4
	4,5	2,55X2,55X1	2,75X2,75X1	3X3X1	3,15X3,15X1	3,35X3,35X1	3,65X3,65X1	3,65X3,65X1,25	3,9X3,9X1,25	4X4X1,4	4,25X4,25X1,4
	5	2,7X2,7X1	2,85X2,85X1	3,15X3,15X1	3,3X3,3X1	3,5X3,5X1	3,6X3,6X1,25	3,8X3,8X1,25	3,9X3,9X1,4	4,2X4,2X1,4	4,45X4,45X1,4
	5,5	2,8X2,8X1	3X3X1	3,25X3,25X1	3,45X3,45X1	3,65X3,65X1	3,75X3,75X1,25	3,95X3,95X1,25	4,1X4,1X1,4	4,4X4,4X1,4	4,45X4,45X1,6
	6	2,9X2,9X1	3,1X3,1X1	3,35X3,35X1	3,55X3,55X1	3,8X3,8X1	3,9X3,9X1,25	4,1X4,1X1,25	4,25X4,25X1,4	4,55X4,55X1,4	4,65X4,65X1,6
	6,5	3X3X1	3,2X3,2X1	3,5X3,5X1	3,7X3,7X1	3,7X3,7X1,25	4X4X1,25	4,1X4,1X1,4	4,4X4,4X1,4	4,5X4,5X1,6	4,8X4,8X1,6
	7	3,1X3,1X1	3,3X3,3X1	3,6X3,6X1	3,8X3,8X1	3,8X3,8X1,25	4,15X4,15X1,25	4,25X4,25X1,4	4,55X4,55X1,4	4,65X4,65X1,6	4,95X4,95X1,6
	7,5	3,2X3,2X1	3,4X3,4X1	3,7X3,7X1	3,7X3,7X1,25	3,9X3,9X1,25	4,15X4,15X1,4	4,35X4,35X1,4	4,45X4,45X1,6	4,8X4,8X1,6	
	8	3,3X3,3X1	3,5X3,5X1	3,6X3,6X1,25	3,8X3,8X1,25	4X4X1,25	4,25X4,25X1,4	4,3X4,3X1,6	4,6X4,6X1,6	4,9X4,9X1,6	
8,5	3,4X3,4X1	3,6X3,6X1	3,65X3,65X1,25	3,9X3,9X1,25	4X4X1,4	4,35X4,35X1,4	4,4X4,4X1,6	4,7X4,7X1,6			
9	3,5X3,5X1	3,7X3,7X1	3,75X3,75X1,25	4X4X1,25	4,1X4,1X1,4	4,3X4,3X1,6	4,5X4,5X1,6	4,85X4,85X1,6			
9,5	3,55X3,55X1	3,55X3,55X1,25	3,85X3,85X1,25	4X4X1,4	4,2X4,2X1,4	4,4X4,4X1,6	4,65X4,65X1,6	4,95X4,95X1,6			
10	3,65X3,65X1	3,65X3,65X1,25	3,95X3,95X1,25	4,10X4,10X1,4	4,3X4,3X1,4	4,5X4,5X1,6	4,75X4,75X1,6				

## PORT JIB CRANE - GPLP



This type of crane is specially designed for lifting heavy loads in port environments.

Standard version with a capacity of up to 12.5 tons and a 7 m boom, or version with a 20 ton capacity and a 5 m boom, with electric rotation drive.

4 different sized models are available.

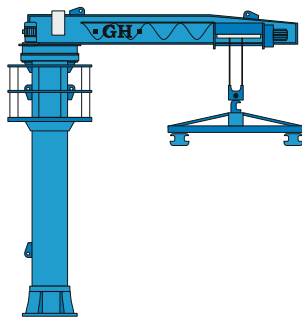
Cable hoist with optional converter for lifting. Movement and rotation with serial converter.

### Model classification:

Model	Beam	Tube	Anchoring and frame units		
1	500	ø610	JP1	910x1100x8/ø830	16div/ø31
2	700	ø760	JP2	1350x1550x10/ø1250	20div/ø37
3	900	ø960	JP3	1600x1800x12/ø1500	22div/ø37
4	1100	ø1150	JP4	2000x2300x12/ø1850	20div/ø50
5L	1200	ø1150	JP5L	2300x2500x12/ø2100	24div/ø50
5	1300	ø1150	JP5	2400x2700x12/ø2200	24div/ø50

The basic jib crane has an AR chain hoist, and may optionally be equipped with a standard cable hoist.

### Tables for crane type selection according to load capacity, boom length and column height:



Rotation type:  
**Electric**

Port jib crane with AR cable hoist with maximum working height.

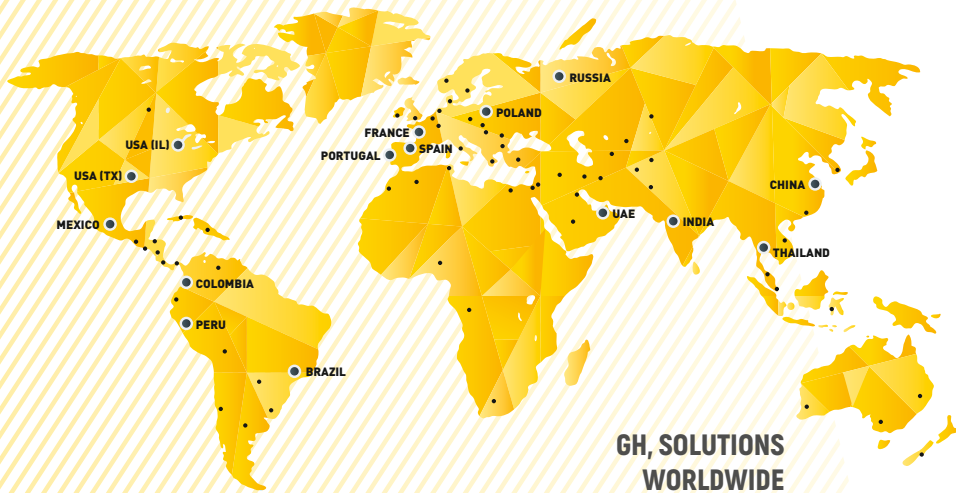
		Load capacity (t)									
		2,5	3,2	4	5	6,3	8	10	12,5	16	20
Boom (m)	3,5	15	14	9,5	7,5	14	10	7,5	14	15	15
	4	12	10,5	8,5	7	11,5	9	15	12	15	14
	4,5	11	9	7,5	12,5	10	8	13,5	10,5	15	11
	5	10	8	7	11	9	14,5	12	16	13	10,5
	5,5	9	7,5	12,5	10	8	13	11	15	12	15
	6	8	7	11	9	7,5	12	10	14	10,5	15
	6,5	7,5	12,5	10,5	8,5	14	11,5	16	12,5	15	15
	7	7	11,5	9,5	8	13	10,5	15	11	15	15
	7,5	14	10	6,5	14	10	15	15	15	15	
	8	12	9	15	12	9	14,5	15	15	15	15
	8,5	11	7,5	14,5	11	15	13	15	15		
9	10	6,8	13	9,5	15	15	15	13			
9,5	8,5	15	11,5	15	15	15	15	12			
10	7,5	15	10,5	15	15	15	15	15			

Check with the factory for cases where the jib crane model does not permit the necessary column height.

### Foundation box dimensions.

		Load capacity (t)									
		2,5	3,2	4	5	6,3	8	10	12,5	16	20
Boom (m)	3,5	2,3X2,3X1	2,45X2,45X1	2,7x2,7x1	2,85x2,85x1	3x3x1	3,3X3,3X1	3,45X3,45X1	3,5X3,5X1,25	3,6X3,6X1,4	3,8X3,8X1,4
	4	2,45X2,45X1	2,6X2,6X1	2,85x2,85x1	3X3X1	3,2X3,2X1	3,5X3,5X1	3,45X3,45X1,25	3,7X3,7X1,25	3,8X3,8X1,4	4,05X4,05X1,4
	4,5	2,55X2,55X1	2,75X2,75X1	3X3X1	3,15X3,15X1	3,35X3,35X1	3,65X3,65X1	3,65X3,65X1,25	3,9X3,9X1,25	4X4X1,4	4,25X4,25X1,4
	5	2,7X2,7X1	2,85X2,85X1	3,15X3,15X1	3,3X3,3X1	3,5X3,5X1	3,6X3,6X1,25	3,8X3,8X1,25	3,9X3,9X1,4	4,2X4,2X1,4	4,45X4,45X1,4
	5,5	2,8X2,8X1	3X3X1	3,25X3,25X1	3,45X3,45X1	3,65X3,65X1	3,75X3,75X1,25	3,95X3,95X1,25	4,1X4,1X1,4	4,4X4,4X1,4	4,45X4,45X1,6
	6	2,9X2,9X1	3,1X3,1X1	3,35X3,35X1	3,55X3,55X1	3,8X3,8X1	3,9X3,9X1,25	4,1X4,1X1,25	4,25X4,25X1,4	4,55X4,55X1,4	4,65X4,65X1,6
	6,5	3X3X1	3,2X3,2X1	3,5X3,5X1	3,7X3,7X1	3,7X3,7X1,25	4X4X1,25	4,1X4,1X1,4	4,4X4,4X1,4	4,5X4,5X1,6	4,8X4,8X1,6
	7	3,1X3,1X1	3,3X3,3X1	3,6X3,6X1	3,8X3,8X1	3,8X3,8X1,25	4,15X4,15X1,25	4,25X4,25X1,4	4,55X4,55X1,4	4,65X4,65X1,6	4,95X4,95X1,6
	7,5	3,2X3,2X1	3,4X3,4X1	3,7X3,7X1	3,7X3,7X1,25	3,9X3,9X1,25	4,15X4,15X1,4	4,35X4,35X1,4	4,45X4,45X1,6	4,8X4,8X1,6	
	8	3,3X3,3X1	3,5X3,5X1	3,6X3,6X1,25	3,8X3,8X1,25	4X4X1,25	4,25X4,25X1,4	4,3X4,3X1,6	4,6X4,6X1,6	4,9X4,9X1,6	
	8,5	3,4X3,4X1	3,6X3,6X1	3,65X3,65X1,25	3,9X3,9X1,25	4X4X1,4	4,35X4,35X1,4	4,4X4,4X1,6	4,7X4,7X1,6		
	9	3,5X3,5X1	3,7X3,7X1	3,75X3,75X1,25	4X4X1,25	4,1X4,1X1,4	4,3X4,3X1,6	4,5X4,5X1,6	4,85X4,85X1,6		
	9,5	3,55X3,55X1	3,55X3,55X1,25	3,85X3,85X1,25	4X4X1,4	4,2X4,2X1,4	4,4X4,4X1,6	4,65X4,65X1,6	4,95X4,95X1,6		
	10	3,65X3,65X1	3,65X3,65X1,25	3,95X3,95X1,25	4,10X4,10X1,4	4,3X4,3X1,4	4,5X4,5X1,6	4,75X4,75X1,6			





GH, SOLUTIONS  
WORLDWIDE

Presence in  
**+73** COUNTRIES  
ON 5 CONTINENTS

**+ 112.000**  
sold cranes

**+ 750**

IN THE  
**TOP 5** CRANE  
MANUFACTURERS  
WORLDWIDE

GH, Spain central offices

**-GH-**

[www.ghcranes.com](http://www.ghcranes.com)



**Beasain**

CENTRAL OFFICES  
T: +34 943 805 660  
[ghcranes@ghcranes.com](mailto:ghcranes@ghcranes.com)



**Olaberría**

T: +34 902 205 100  
[globalservice@ghcranes.com](mailto:globalservice@ghcranes.com)



**Alsasua**

T: +34 948 467 625



**Bakaiku**

T: +34 948 562 611



**Jaén**

T: +34 902 205 100

GH, subsidiaries in the world



**Brazil**

Cabreúva

GH DO BRASIL IND. E COM. LTDA.  
T: +52 44 22 77 55 03  
[ghdobrasil@ghdobrasil.com.br](mailto:ghdobrasil@ghdobrasil.com.br)



**China**

Shanghai

GH (SHANGHAI)  
LIFTING EQUIPMENT CO., LTD.  
T: +86 21 5988 7676  
[ghchina@ghsa.com](mailto:ghchina@ghsa.com)



**Colombia**

Bogotá

GH COLOMBIA SAS  
T: +57 1 750 4427  
[yezpeleta@ghsa.com](mailto:yezpeleta@ghsa.com)



**France**

Couëron

GH FRANCE SA  
T: +33(0) 240 861 212  
[ghfrance@ghsa.com](mailto:ghfrance@ghsa.com)



**India**

Pune

GH CRANES INDIA PVT. LTD.  
T: +91 89561 35444  
[ghindia@ghsa.com](mailto:ghindia@ghsa.com)



**Mexico**

Queretaro

GRÚAS GH MEXICO SA DE CV  
T: +52 44 22 77 55 03  
+52 44 22 77 50 74  
[ghmexico@ghsa.com.mx](mailto:ghmexico@ghsa.com.mx)



**Peru**

Lima

GH PERÚ S.A.C.  
T: +51 987816231  
[gferradas@ghsa.com](mailto:gferradas@ghsa.com)



**Poland**

Kłobuck

GH CRANES SP. Z O.O.  
T: +48 34 359 73 17  
[intertech@ghsa.pl](mailto:intertech@ghsa.pl)



**Portugal**

Mamede do Coronado

GH PORTUGAL  
T: (972) 563 8333  
[geral@ghsa.com](mailto:geral@ghsa.com)



**Russia**

Moscow

GH RUSSIA  
T: +7 (495) 745 69 26  
[ghrussia@ghsa.com](mailto:ghrussia@ghsa.com)



**Thailand**

Chonburi

LGH Cranes  
T: +66 (0) 2327 9399  
M: +66 (0) 8 4660 1365  
[ghthailand@ghsa.com](mailto:ghthailand@ghsa.com)



**UAE**

Dubai

GH Cranes Arabia FZCO  
Office no. 517, 5th Floor, Jafza  
Building 16, Jebel Ali Free Zone.  
P.O Box Number - 263594  
T: +971 4 8810773  
[gharabia@ghcranes.com](mailto:gharabia@ghcranes.com)



**USA**

Illinois

GH CRANES USA  
T: (815) 277 5328  
[ghcranesusa@ghsa.com](mailto:ghcranesusa@ghsa.com)



**USA**

Texas

F&G CRANES  
T: (972) 563 8333  
[info@fg-ind.com](mailto:info@fg-ind.com)

**Lifting  
your  
world.**