

· GH ·

CRANES & COMPONENTS



NEW HOIST GENERATION

BORN
FROM
EXPERIENCE



**OVER
60 YEARS
OF KNOW-HOW**

CONTENTS

Over 60 years of experience...	2
The new hoist...	3
Adaptable, modular design...	4/5
Safety and reliability features...	6
A wide range of solutions...	7
Energy-efficient...	8
Selection chart...	9
Technical service and spares...	10
We operate worldwide...	11



More than 125,000 hoists installed vouch for our experience



GH started out in 1958, as a manufacturer of lifting components. We now operate in over 70 countries, installing our products and providing solutions for practically all sectors.

Our years of experience and our customers' recognition of the high quality of our products have placed GH among the leading European manufacturers in the lifting sector.





WE'VE DEVELOPED A NEW HOIST



INDUSTRIAS ELECTROMECÁNICAS GH, S.A.

1958



1960



1980



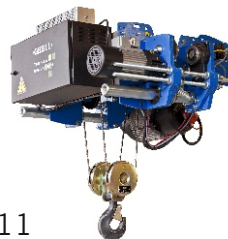
1990



2000



2017



2011

What do you want
from a new machine?

- + Safety
- + Reliability
- + Performance
- + Durability
- + Maintenance

Frequency inverter for cross travel
and hoist motions as standard.

Minimum duty service classification
ISO M5.

C-shaped design for better approaches.

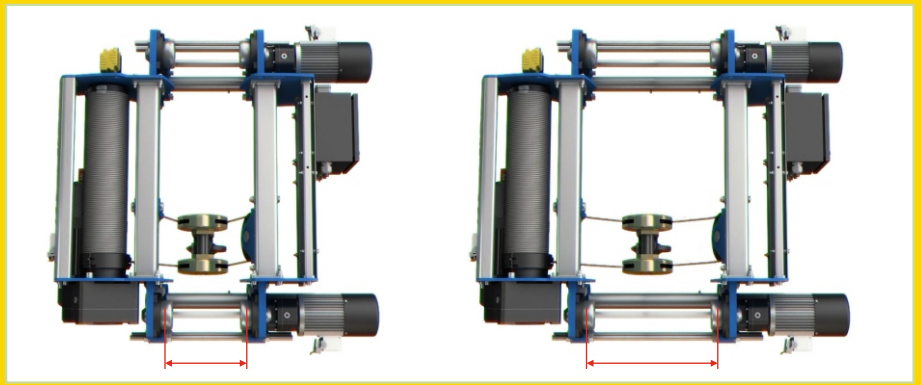
Reduced weight, transmitting less
stress to the structure.

Complies with European Machine
Directive 2006/42/EC.

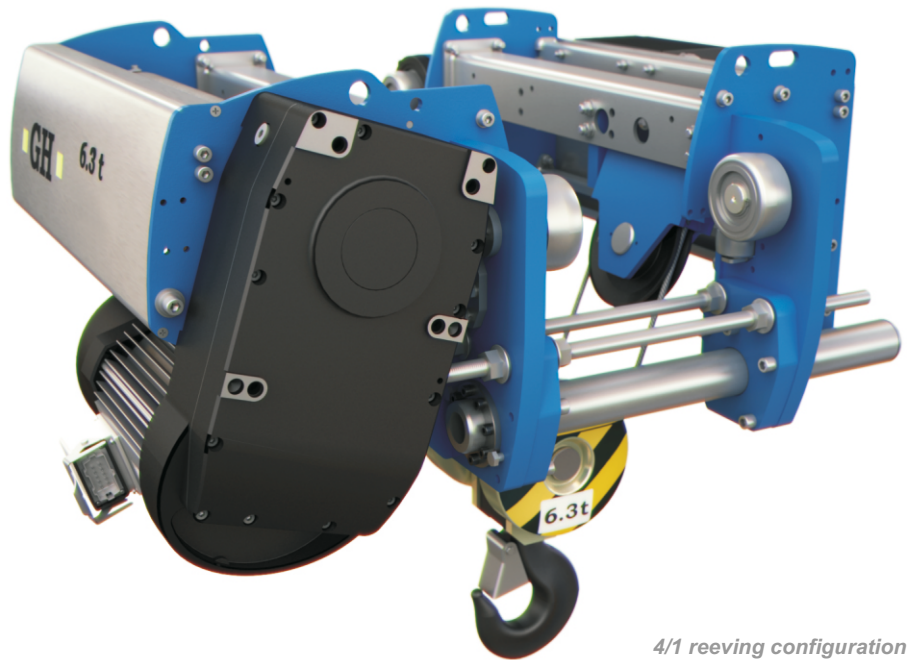
Designed for higher productivity and
maintenance savings.

Quick connector on motors and
cabinets.

AN ADAPTABLE, MODULAR HOIST



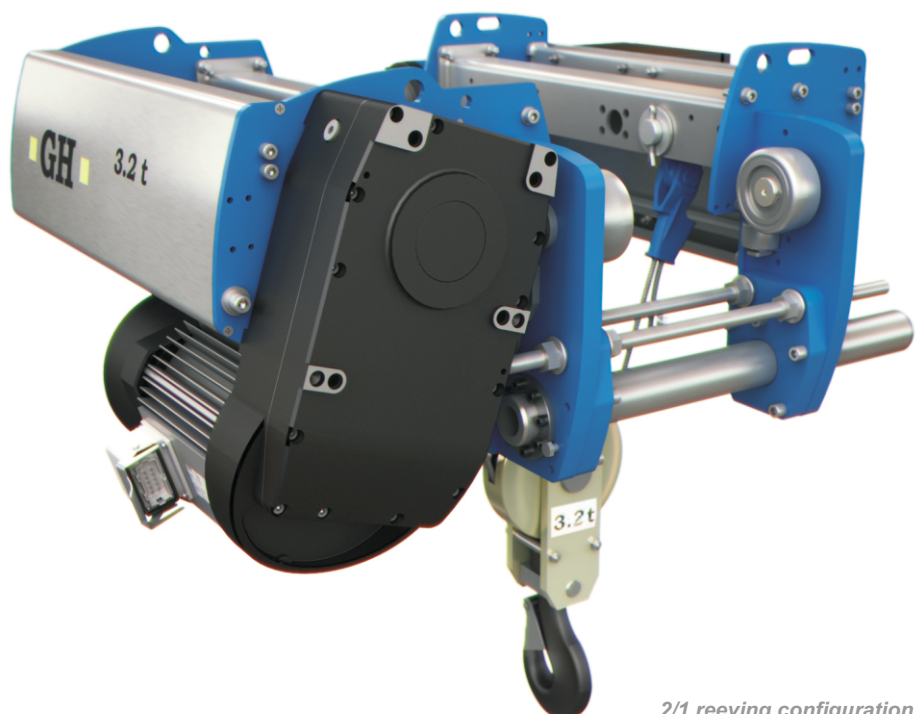
Modular design,
easily adaptable
to different
wire rope
arrangements
and girder widths



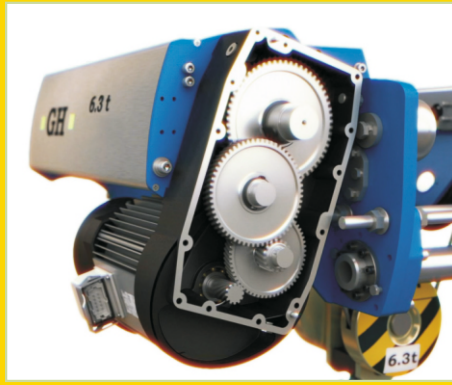
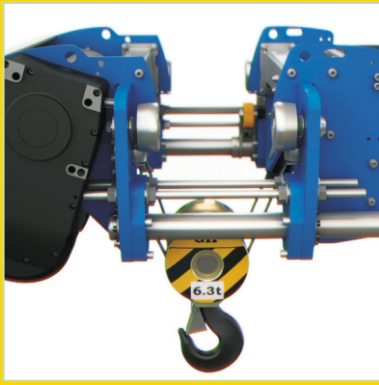
4/1 reeving configuration

The new hoist's modular design enables much of the structure to be used for assembling the different hoist configurations, different rope arrangements (4/1, 2/1, 4/2, etc.), drum lengths or installing a second motor.

This design makes GH's new hoist competitive and quick to manufacture.

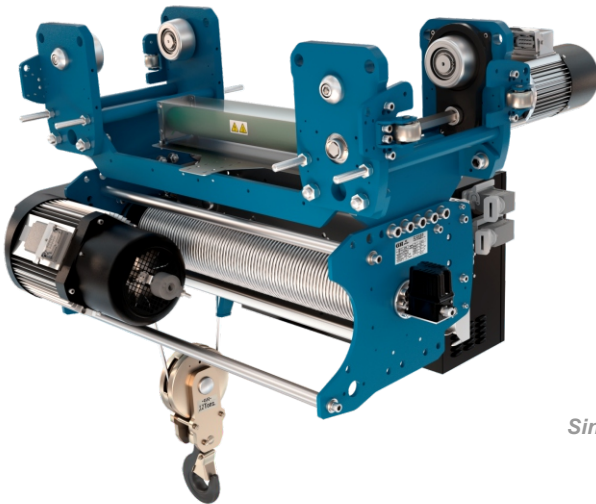


2/1 reeving configuration



A ROBUST, RELIABLE RANGE OF HOISTS

Specific solutions for each type of work and working environment



Single-girder suspended hoist



Double-girder hoist with tubes

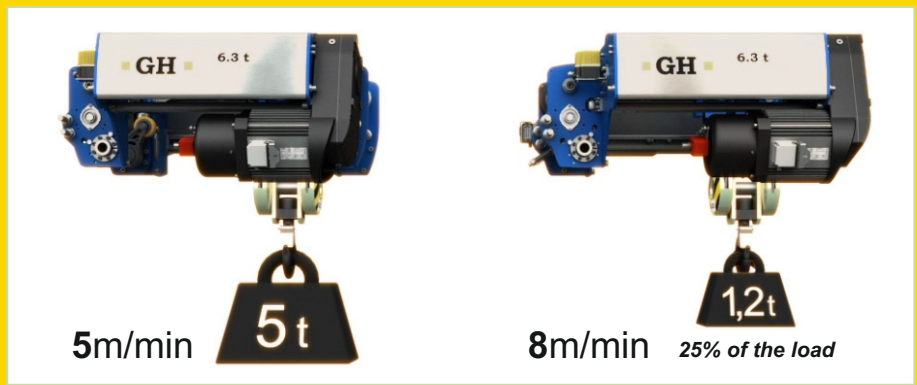


Double-girder hoist with end carriages

- Aeronautics
- Shipbuilding
- Automotive
- Metal fabrication
- Wind power
- Railway
- Casting
- Container cranes
- Steel handling
- Stone handling
- Boat handling
- Public works
- Paper mills
- Precast concrete
- Urban solid waste
- Steel industry

GH's products for all sectors are designed with a view to offering our customers the best performance at the lowest cost, based on reliability, safety, durability, affordability and minimum maintenance.

SPEED CONTROL BY FREQUENCY INVERTER, FOR HIGHER PRODUCTIVITY



Features

Speed selection.

Smooth running. Acceleration/deceleration control to prevent dangerous swing.

Electric braking, allowing the service brake to work as a safety brake in practice.

More durable mechanisms.

Compact design for the closest approaches, making efficient use of available space.

Light weight, with no counterweight, reducing stress to the structure.

Energy savings.

No counterweights

- Lower moments of inertia.

Cross travel motor

- GH's own optimised design.
- Speed regulation by frequency inverter.
- Direct drive, with two wheels on each side of the girder.

Hoisting motor

- GH's own optimised design.
- Encoder safety.
- IP-55 protection as per DIN 40050.
- Duty cycle 60% ED.

Helical gears

- Smooth running.
- Excellent lubrication.
- All gears in closed housing with oil bath.

Wire rope guide

- Latest-generation materials.
- Longer wire rope life with less wear.

Safety

Frequency inverter for cross travel and hoist motions as standard.

Wire rope safety factor as per EC directive (Min 5).

Two steps limit switch for lifting.

Safe Operating Period Control.

Load swing control.

Operating and maintenance control.

Load slip safety system.

Optional loose wire rope indication.

Phase reversal/phase loss protection.

Motor overheating protection.

Overload limiter.

Reliable load clamping with safety Latch.

Reliability

All components are highly robust.

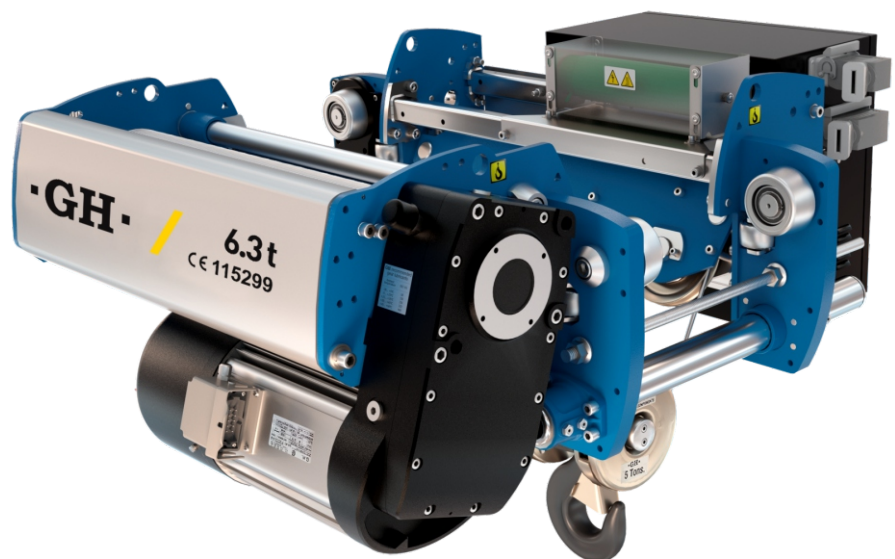
Longer working life of all components.

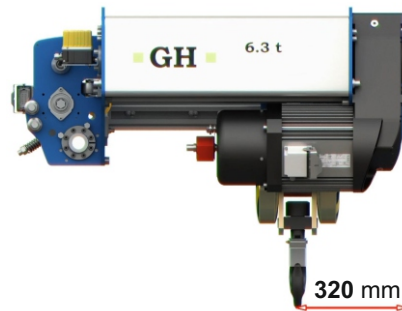
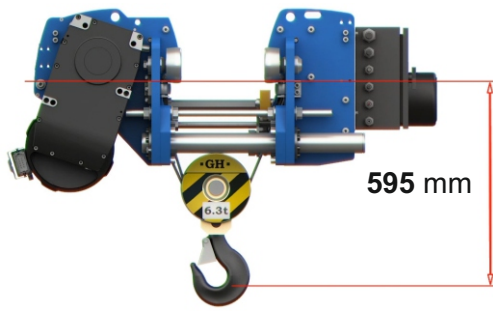
New materials for longer machine working life.

Modular design.

Lower machine downtime costs.

Lower maintenance costs during the hoist's working life.





**STATE-OF-
THE-ART
TECHNOLOGY,
ADAPTED TO
THE CUSTOMER'S
NEEDS**

Load control

All our hoists come equipped with the model ALE-100/TN electronic limiter, with record and control function. Designed for overload, loose wire rope and motor overheating control. also records the load spectrum of the hoist as per UNE 58 919 standard.

In combination with the overload cell, it enables optional viewing of hanged load and Safe Operating Period control:

- Number of lifting manoeuvres.
- Number of inching manoeuvres.
- Lifting manoeuvre time.
- Number of overloads.
- Number of trolley manoeuvres.
- Number of bridge manoeuvres.
- Activation of next inspection alert by number of hours and/or date.

This data can be viewed on the remote control.

Hoist versions

We adapt the features of our products to meet our customers' needs.

- Hoist for curves.
- Cradled double-girder trolley.
- Hoist with console trolley.
- Motorised rotary trolley.
- Dual hoist double-girder trolley.
- Dual hook double-girder trolley.
- Trolley with hoist parallel to end carriages.
- Double-girder tube trolley with platform.
- Winder trolley.
- Hoist between girders.
- Recess-mounted double-girder trolley with 2 cable exits and rack conveying.

Other options

- Anti-collision photocells.
- Weighing display.
- Safety brake on drum.
- Hook blocking system.
- Remote control.
- Data displayed on remote control.
- Data displayed on radio remote control.



Electronic load limit device (ALE-100/TN)



Radio remote control with display (on the radio)

*Frequency
inverter for
hoist and
cross travel
motions*

MACHINES WITH ENERGY EFFICIENCY AND OPTIMISED DESIGN

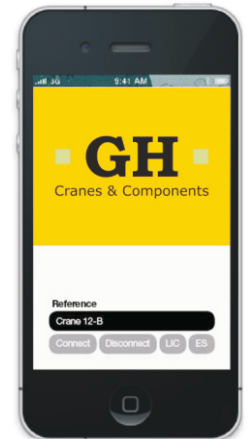


We have used state-of-the-art technology to improve all aspects of this new hoist

GH's smartphone application provides information on the Safe Operating Period for all its cranes installed worldwide.

The following information can also be accessed optionally, in conjunction with ALM100N:

- Number and duration of hoisting operations.
- Number of manoeuvres.
- Record of the last 500 overloads and maintenance alert activation.



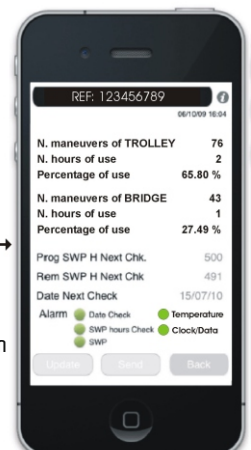
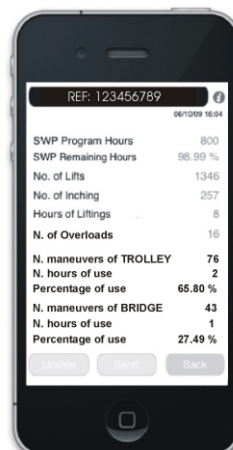
Energy savings and environmental protection have become a major issue in today's engineering systems

GH's solution in this area centres on the use of regenerative frequency inverters. These have major advantages over conventional frequency inverters:

- High energy efficiency.
- No braking resistance required.
- Minimal heat generation on braking.
- Huge energy saving potential.

Braking energy feedback can also be used elsewhere in the installation, reducing operating costs even further.

This technology is especially suited heavy duty cranes with cyclical processes.



↑ Scroll screen to view



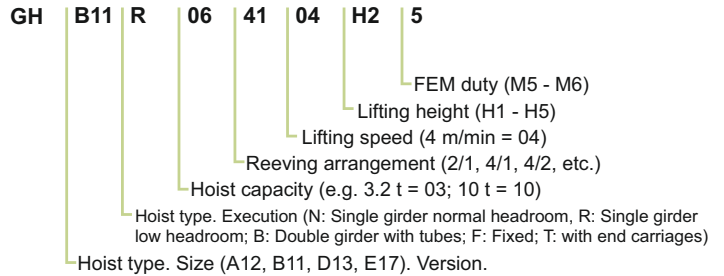
A WIDE RANGE IS AVAILABLE

Standard: Frequency inverter on hoisting Models GHA12, GHB11, GHD13 and GHE17

- Nominal speed at full load 5m/min.
- Overspeed at 1/4 load 8m/min.

Optional: 2-speed motor

Hoisting speed: 5/0.8 m/min. GHB11, GHD13, GHE17
Hoisting speed: 5/1.25 m/min. GHA12
Other options available.



KG.	HOIST	SPEED M/MIN	FALLS	DUTY FEM	HOL (HEIGHT OF LIFT) (M)				
					H1	H2	H3	H4	
1.000	GHA12_014105M6	5	4/1	M6	4,5	8	10,8		
	GHA12_012110M6	10	2/1	M6	9	16	21,6		
	GHB11_011116M5	16	1/1	M5	14,5	27,1	37,2	47,3	
	GHB11_012216M5	16	2/2	M5	4	10,3	15,4	20,5	
	GHB11_011120M5	20	1/1	M5	14,5	27,1	37,2	47,3	
	GHB11_012220M5	20	2/2	M5	4	10,3	15,4	20,5	
1.600	GHA12_014105M6	5	4/1	M6	4,5	8	10,8		
	GHA12_012110M5	10	2/1	M5	9	16	21,6		
	GHB11_012216M5	16	2/2	M5		10,3	15,4	20,5	
	GHB11_011116M5	16	1/1	M5	14,5	27,1	37,2	47,3	
	GHD13_012220M6	20	2/2	M6		15,9		31	
	GHD13_011120M6	20	1/1	M6	15,2	28,8		51	
2.000	GHA12_024105M6	5	4/1	M6	4,5	8	10,8		
	GHB11_022108M5	8	2/1	M5	7,26	13,55	18,6	23,6	
	GHB11_024208M5	8	4/2	M5		5	7,5	10	
	GHB11_022110M5	10	2/1	M5	7,26	13,55	18,6	23,6	
	GHB11_024210M5	10	4/2	M5		5	7,5	10	
	GHD13_022216M6	16	2/2	M6		15,9		31	
	GHD13_021116M6	16	1/1	M6	15,2	28,8		51	
	GHD13_022220M6	20	2/2	M6		15,9		31	
	GHD13_021120M6	20	1/1	M6	15,2	28,8		51	
	GHA12_024105M6	5	4/1	M6	4,5	8	10,8		
2.500	GHB11_022108M5	8	2/1	M5	7,26	13,55	18,6	23,6	
	GHB11_024208M5	8	4/2	M5		5	7,5	10	
	GHB11_022110M5	10	2/1	M5	7,26	13,55	18,6	23,6	
	GHB11_024210M5	10	4/2	M5		5	7,5	10	
	GHD13_022110M6	10	2/1	M6	7,6	14,4		25,5	
	GHD13_024210M6	10	4/2	M6		7		14,7	
	GHD13_022216M6	16	2/2	M6		15,9		31	
	GHD13_021116M6	16	1/1	M6	15,2	28,8		51	
	GHD13_022220M5	20	2/2	M5		15,9		31	
	GHD13_021120M5	20	1/1	M5	15,2	28,8		5	
	GHE17_021116M6	16	1/1	M6	18,4	29,7	44	55,3	
	GHE17_022216M6	16	2/2	M6	6,1	13,3	22,5	29,6	
	3.200	GHA12_034105M5	5	4/1	M5	4,5	8	10,5	
		GHB11_034105M5	5	4/1	M5	3,6	6,8		10
GHB11_032108M5		8	2/1	M5	7,26	13,55	18,6	23,6	
GHB11_034208M5		8	4/2	M5		5	7,5	10	
GHD13_032110M6		10	2/1	M6	7,6	14,4		25,5	
GHD13_034210M6		10	4/2	M6		7		14,7	
GHD13_032216M5		16	2/2	M5		15,9		31	
GHD13_031116M5		16	1/1	M5	15,2	28,8		51	
GHE17_031116M6		16	1/1	M6	18,4	29,7	44	55,3	
GHE17_032216M6		16	2/2	M6	6,1	13,3	22,5	29,6	

KG.	HOIST	SPEED M/MIN	FALLS	DUTY FEM	HOL (HEIGHT OF LIFT) (M)				
					H1	H2	H3	H4	
4.000	GHB11_044104M5	4	4/1	M5	3,6	6,8		10	
	GHB11_044105M5	5	4/1	M5	3,6	6,8		10	
	GHD13_042108M6	8	2/1	M6	7,6	14,4		25,5	
	GHD13_044208M6	8	4/2	M6		7		14,7	
	GHD13_042110M6	10	2/1	M6	7,6	14,4		25,5	
	GHD13_044210M6	10	4/2	M6		7		14,7	
	GHE17_041116M6	16	1/1	M6	18,4	29,7	44	55,3	
5.000	GHE17_042216M6	16	2/2	M6	6,1	13,3	22,5	29,6	
	GHB11_054104M5	4	4/1	M5	3,6	6,8		10	
	GHB11_054105M5	5	4/1	M5	3,6	6,8		10	
	GHD13_054105M6	5	4/1	M6	3,8	7,2		10	
	GHD13_052108M6	8	2/1	M6	7,6	14,4		25,5	
	GHD13_054208M6	8	4/2	M6		7		14,7	
	GHD13_052110M5	10	2/1	M5	7,6	14,4		25,5	
	GHD13_054210M5	10	4/2	M5		7		14,7	
	GHE17_051116M5	16	1/1	M5	18,4	29,7	44	55,3	
	GHE17_052216M5	16	2/2	M5	6,1	13,3	22,5	29,6	
	GHE17_052108M6	8	2/1	M6	9,2	14,9	22	27,7	
	GHE17_054208M6	8	4/2	M6		6,6	11,2	14,8	
	6.300	GHB11_064104M5	4	4/1	M5	3,6	6,8		10
		GHD13_064105M6	5	4/1	M6	3,8	7,2		10
GHD13_062108M5		8	2/1	M5	7,6	14,4		25,5	
GHD13_064208M5		8	4/2	M5		7		14,7	
GHE17_062212M4		12	2/2	M4	6,1	13,3	22,5	29,6	
GHE17_062108M6		8	2/1	M6	9,2	14,9	22	27,7	
GHE17_064208M6		8	4/2	M6		6,6	11,2	14,8	
8.000	GHD13_084104M6	4	4/1	M6	3,8	7,2		10	
	GHD13_084105M6	5	4/1	M6	3,8	7,2		10	
	GHE17_082108M6	8	2/1	M6	9,2	14,9	22	27,7	
	GHE17_084208M6	8	4/2	M6		6,6	11,2	14,8	
	10.000	GHD13_104104M6	4	4/1	M6	3,8	7,2		10
GHD13_104105M5		5	4/1	M5	3,8	7,2		10	
GHE17_102108M5		8	2/1	M5	9,2	14,9	22	27,7	
GHE17_104208M5		8	4/2	M5		6,6	11,2	14,8	
GHE17_104104M6		8	4/1	M6	4,6	7,4	11	13,8	
12.500		GHD13_124104M5	4	4/1	M5	3,8	7,2		10
	GHE17_124206M4	6	4/2	M4		6,6	11,2	14,8	
	GHE17_124104M6	4	4/1	M6	4,6	7,4	11	13,8	
16.000	GHE17_164104M6	4	4/1	M6	4,5	7,3	10,2	13	
20.000	GHE17_204104M5	4	4/1	M5	4,5	7,3	10,2	13	

Hoist selection chart

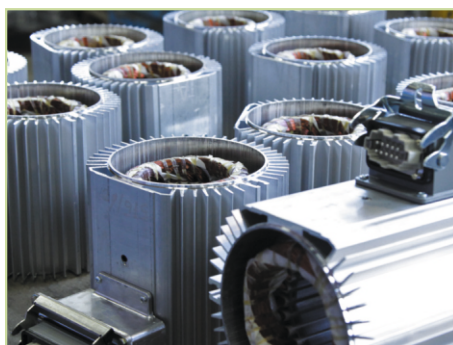
**TECHNICAL
ASSISTANCE
SERVICE,
MAINTENANCE
AND ORIGINAL
SPARE PARTS**



We've designed
a state-of-the-art,
lightweight,
robust hoist
requiring
minimum
maintenance



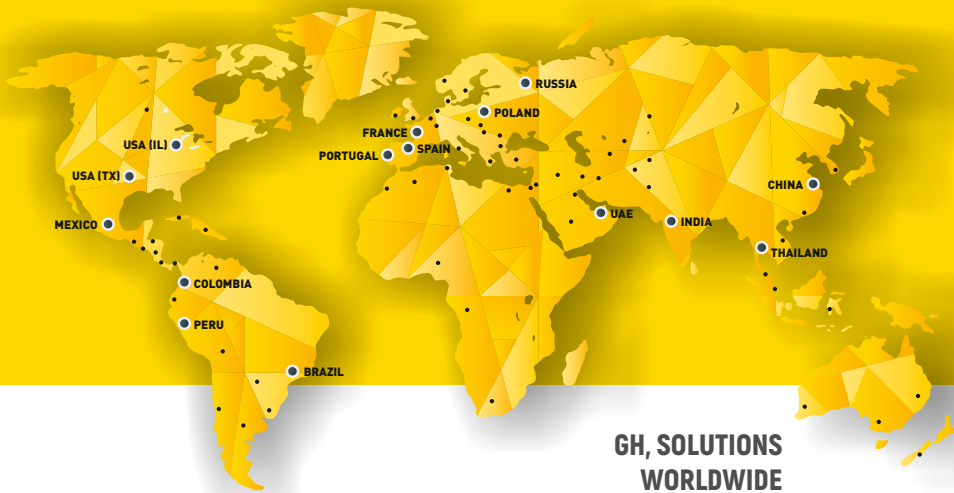
GH spare parts distribution center



To guarantee perfect functioning and durability of the units we offer an all-round service, including After-sales Service, Technical Assistance and Spare Parts Supply:

- Preventive and predictive maintenance.
- Corrective maintenance.
- We stock original replacement parts.
- Crane operator training courses.





Presence in
+70 COUNTRIES
ON 5 CONTINENTS

+ 125.000
sold cranes

+ 950

**GH, SOLUTIONS
WORLDWIDE**

IN THE **TOP 5** CRANE
MANUFACTURERS
WORLDWIDE

GH, Spain central offices

-GH-

www.ghcranes.com



Beasain

CENTRAL OFFICES
T: +34 943 805 660
ghcranes@ghcranes.com



Olaberria

T: +34 902 205 100
globalservice@ghcranes.com



Alsasua

T: +34 948 467 625



Bakaiku

T: +34 948 562 611



Jaén

T: +34 902 205 100

GH, subsidiaries in the world



Brazil

Cabreúva

GH DO BRASIL IND. E COM. LTDA.
T: +52 44 22 77 55 03
vendas@ghcranes.com.br



China

Shanghai

GH (SHANGHAI)
LIFTING EQUIPMENT CO., LTD.
T: +86 21 5988 7676
ghcranes@ghcranes.com.cn



Colombia

Bogotá

GH COLOMBIA SAS
T: +57 1 750 4427
ventasghcolombia@ghcranes.com



France

Couëron

GH FRANCE SA
T: +33(0) 240 861 212
ghfrance@ghcranes.com



India

Pune

GH CRANES INDIA PVT. LTD.
T: +91 89561 35444
ghindia@ghcranes.com



Mexico

Queretaro

GRÚAS GH MEXICO SA DE CV
T: +52 44 22 77 55 03
+52 44 22 77 50 74
ghmexico@ghsa.com.mx



Peru

Lima

GH PERÚ S.A.C.
T: +51 987816231
gferradas@ghcranes.com



Poland

Kłobuck

GH CRANES SP. Z O.O.
T: +48 34 359 73 17
office@ghsa.pl



Portugal

Mamede do Coronado

GH PORTUGAL
T: +351 229 821 688
geral@ghcranes.com



Russia

Moscow

GH RUSSIA
T: +7 (495) 745 69 26
ghrussia@ghcranes.com



Thailand

Chonburi

LGH CRANES CO., LTD.
T: +66 (0)-2327 9399
ghthailand@ghcranes.com



UAE

Dubai

GH Cranes Arabia FZCO
T: +971 4 8810773
gharabia@ghcranes.com



USA

Illinois

GH Cranes & Components USA- IL
T: (815) 277 5328
ghcranesusa@ghcranes.com



USA

Texas

GH Cranes & Components USA- TX
T: (972) 563 8333
ghcranesusa@ghcranes.com

**Lifting
your
world.**



■ DESIGNED, BUILT AND
■ KEPT IN SHAPE BY OUR
■ TOP TEAMS



See the video on the new GHB11 hoist by scanning this QR code, or online at:

<http://www.youtube.com/user/ghcranes>

·GH·
CRANES & COMPONENTS

TEL.: +34 943 805 660
FAX: +34 943 888 721
E-MAIL: GHCRANES@GHCRANES.COM
APDO. 27 - Bº SALBATORE
20200 BEASAIN (GIPUZKOA) - SPAIN
WWW.GHCRANES.COM